

ZG-dSVG



V1.2

&\$% \$%

N ! XGJ;

N ! XGJ;

N ! XGJ;

%	%
% %	%
&	(
&" %	(
&" &	(
&"')
&" (.....	*
'	+
' " %	+
' " &	%\$
(.....	%
(" %	%
(" &	%
("'	%+
)	%
)" %	%
)" &	%
)"'	%
)" (.....	&\$
*	&%
*" %	&%
*" &	&&
*"'	&'
*" (.....	&(
+	&)
,	&
, " %	&
, " &	&
, "'	&
, " (.....	&
, ")	&-

1

N ! XGJ;

1.1

%' %' %

◆
◆

%' %' &

◆
◆

◆
◆
◆
◆
◆

%' %' '

◆
◆

- ◆
- ◆
- ◆
- ◆

%'%' (

- ◆
- ◆
- ◆
- ◆
- ◆

- ◆
- ◆
- ◆
- ◆
- ◆

) ()^{c7}

%'%)

- ◆
- ◆
- ◆

' \$

◆

◆
◆

◆

%'%' *

◆

%'%' +

◆ N ! XGJ;

N ! XGJ;

2

2.1

%

!% () ž)?#\

&

-\$%f&\$ Ł)%#\ž

3)

,

(Ł

\$\$\$\$a %\$\$\$\$a

)Ł

&<z -<z O\$"' aa

-<z &\$\$<zž

)a#g⁸

ž

*Ł

U

!&\$% Ž% %

V

&\$kJ5

2.1

2.2

%

*kJ %kJ ')kJ

&

%—&\$ AJUF

,

- () ag
-) 0 %
- * GJ; 2--%
- + 0%\$\$\$a

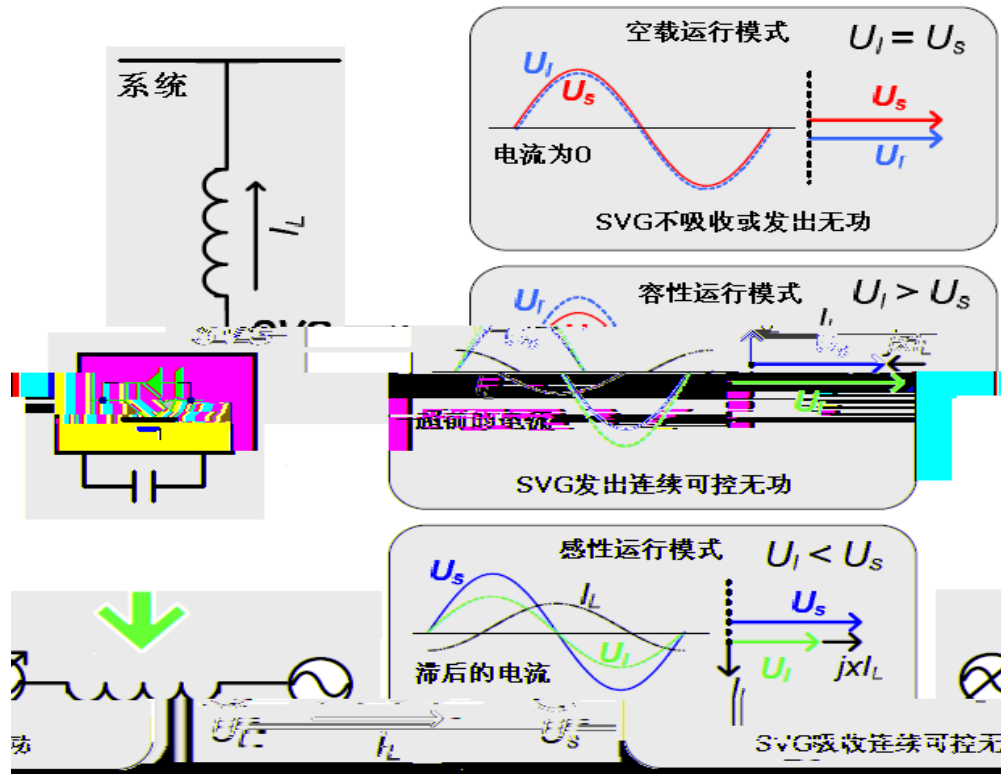
2.3

GJ;

GH7CA

GJ;

& %



& %GJ;

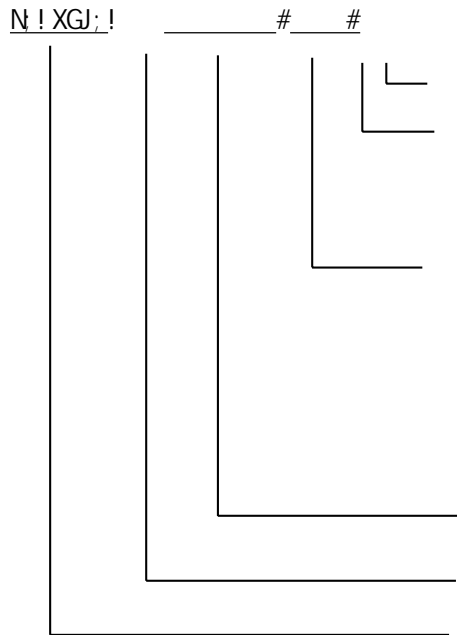
& %

$$I_1 = (U_s - U_1) \div jX_L$$

& %

2.4

N ! XGJ;



5! N \$! -

M

K

\$' ' kJ

\$* *kJ

;% \$kJ

') ') kJ

kJUF

b < b <

;%kJ

± &\$\$\$kj Uf

%& <

5;%

N ! XGJ; ! %& &\$\$\$#%\$M#5;%

N ! XGJ;

;%kJ

*\$\$5

*\$\$5

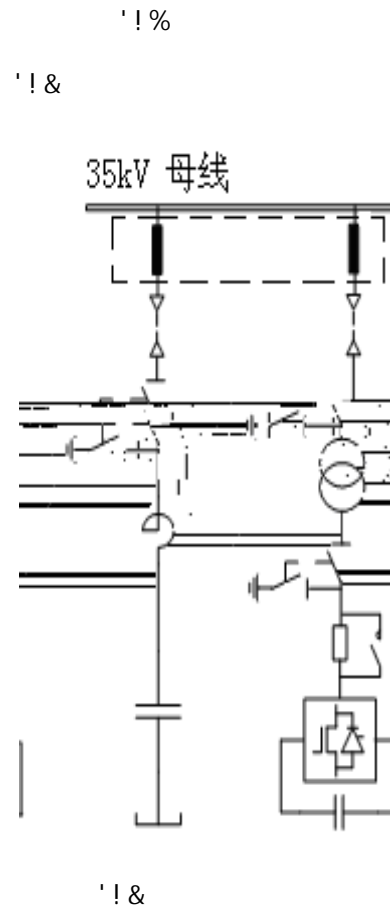
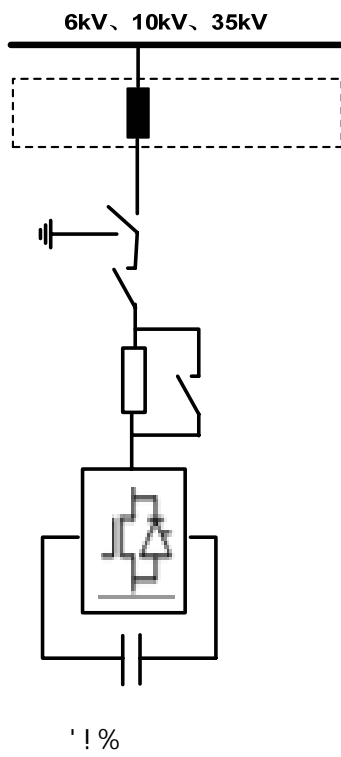
') kJ

N ! XGJ;

3

3.1

N ! XGJ;



N ! XGJ;

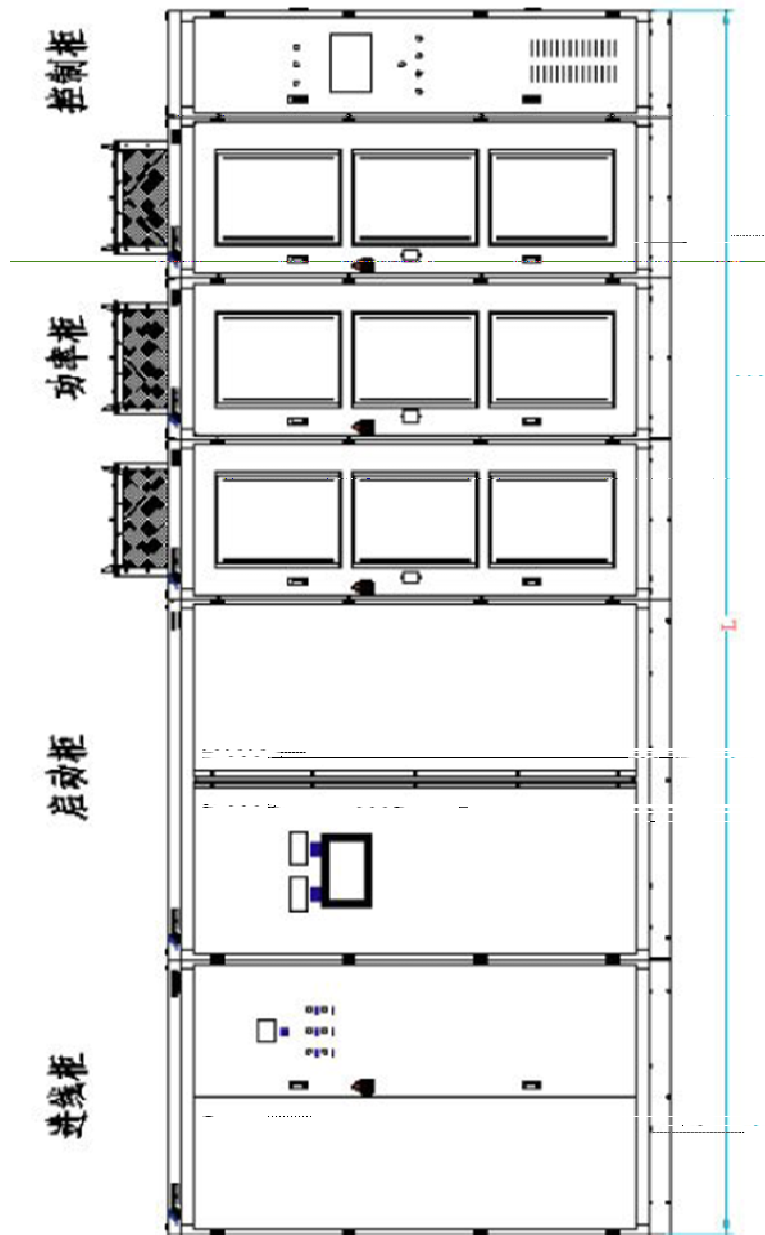
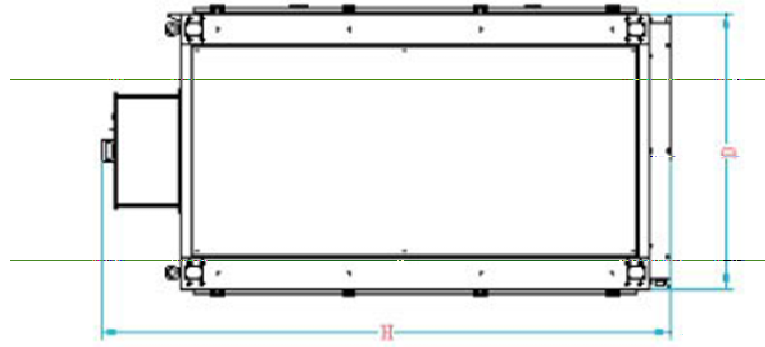
%

&

,

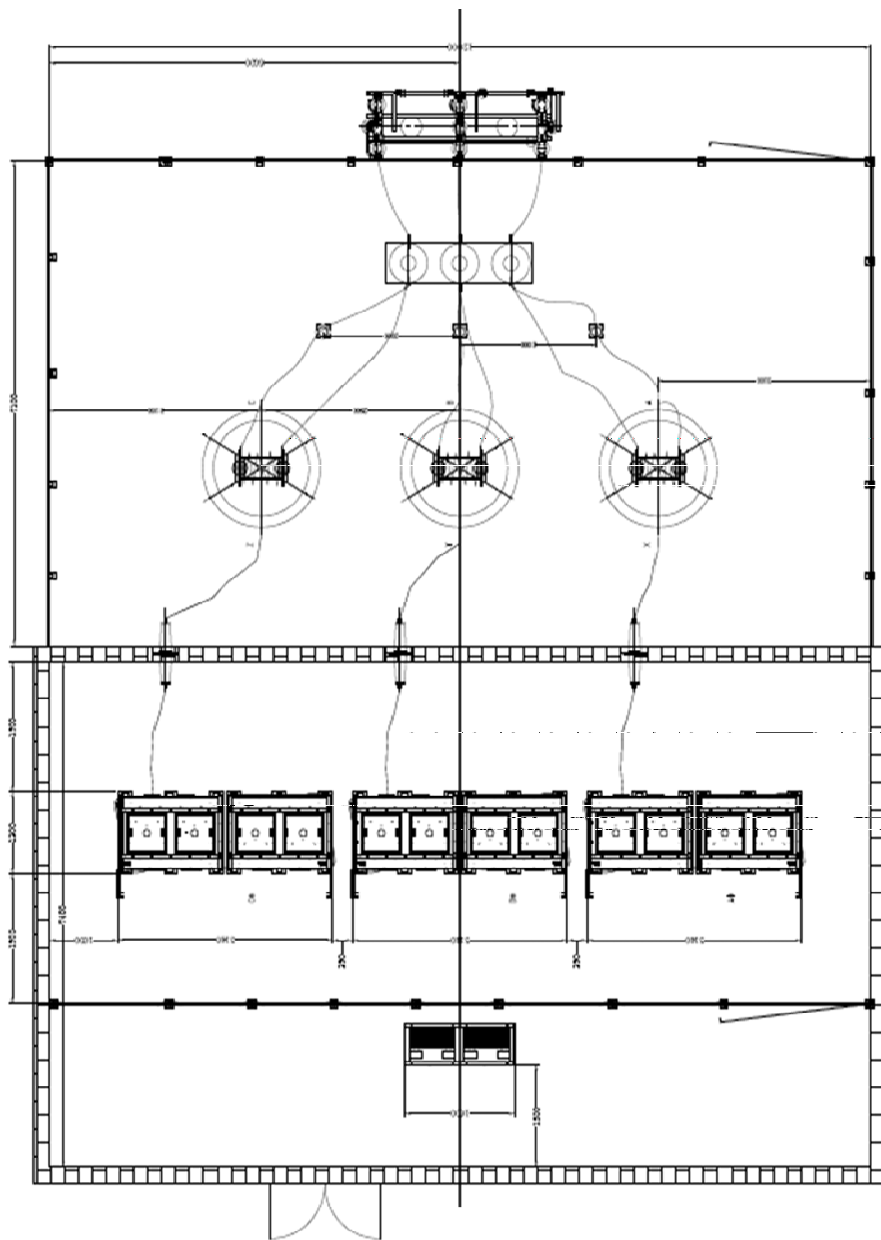
(

I DG



3-3 6kV 10kV ZG-dSVG

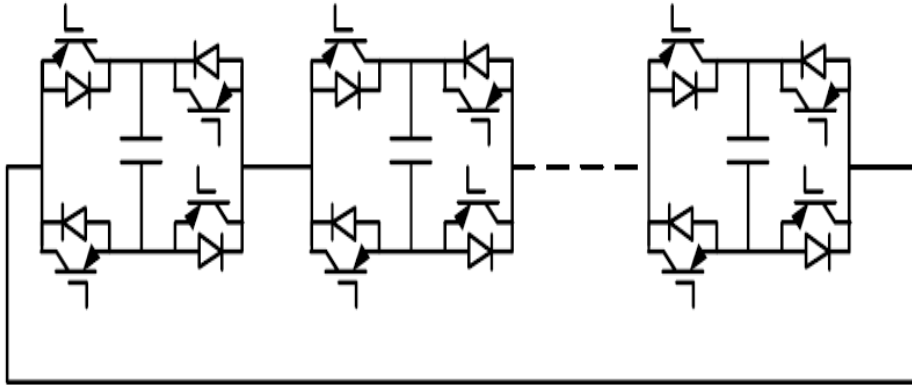
% %kJ ')kJ
 &
 ' :7
 (:7
 ')kJ N ! XGJ;
 '!(



3-4 35kV ZG-dSVG

3.2

%



'!)

'!)

% N ! XGJ;

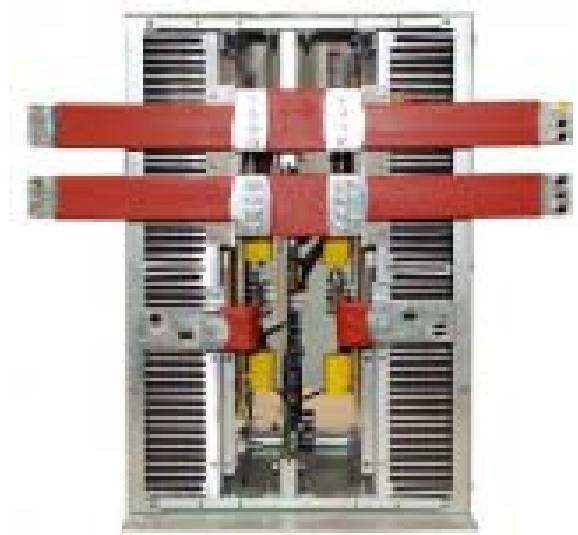
&"

' "

=; 6H

=; 6H

'! * '!' +



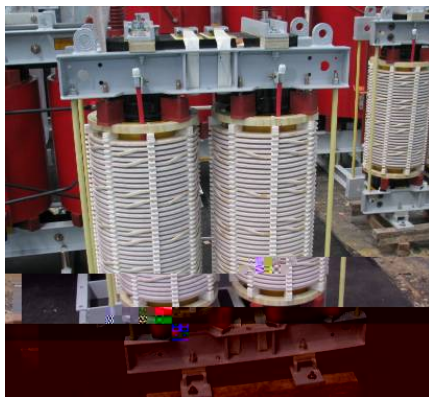
3-6



'!+

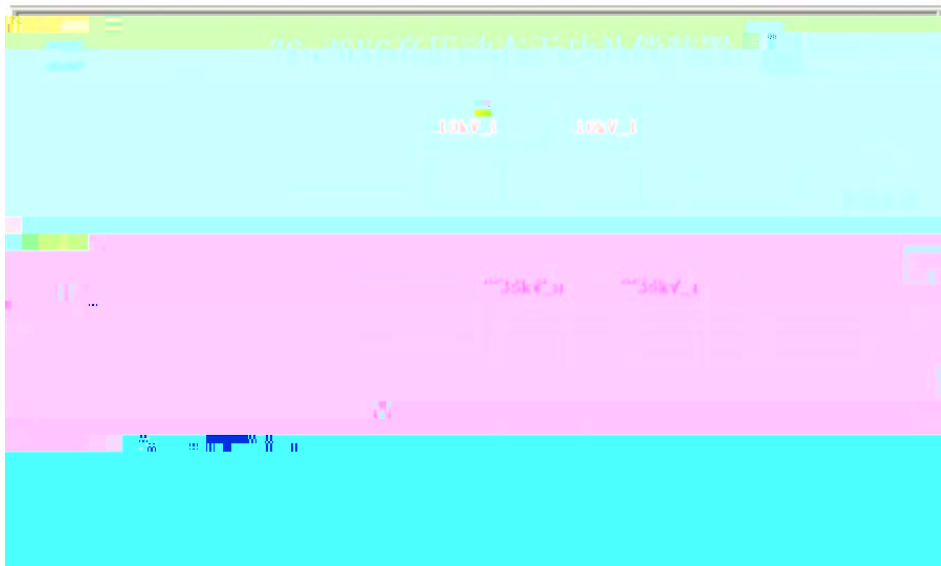
&

N ! XGJ;



'!,

!-



3-9

U

V

W

X

N ! XGJ;

GJ;

#

FG& &#FG(,)

75B

F>()

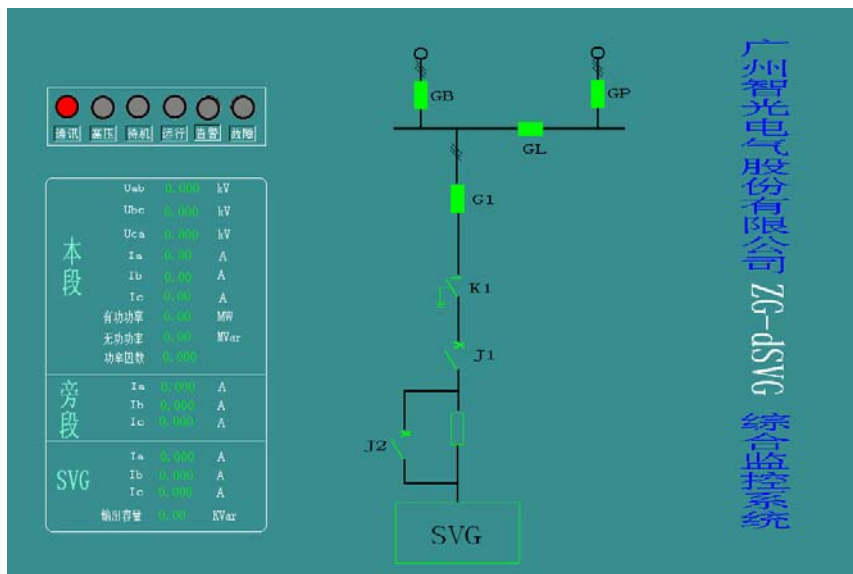
AcXVi g

Df cf] Vi g H7D#=#D =97*%)\$

; DFG

; DFG

4



3-10

%

k] bXckg LD

&

3

1-25

4

6

5

6

7

8

9

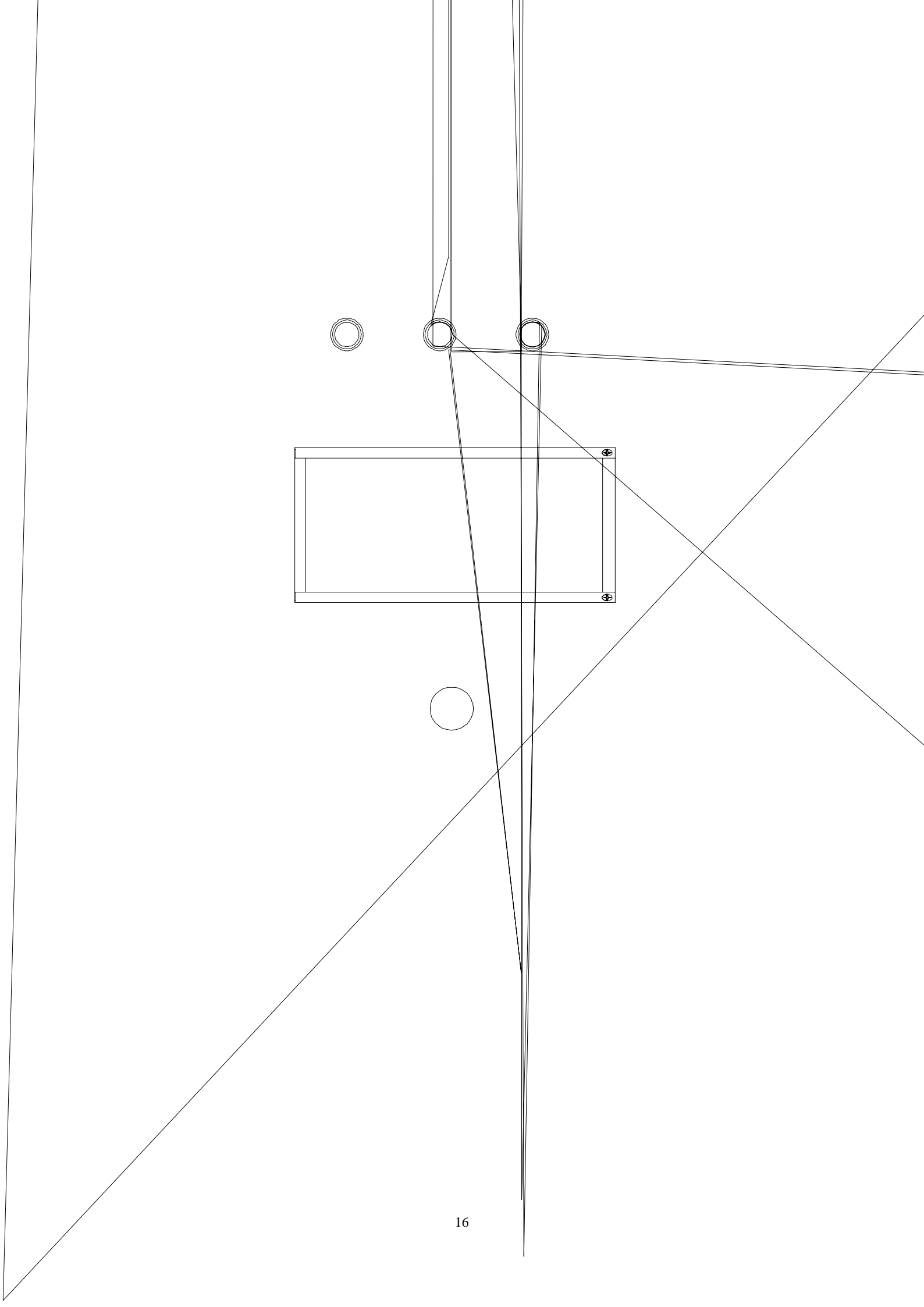
10

11

4

4.1

%



	/	

4-1

ZG-dSVG

4.3

TPC7063H

TPC7062K

FG(.)

%

&

%

&"

-\$-\$+\$

' "

4"

N ! XGJ;

5

5.1

1. 380V
2. /
- 3.
- 4.
- 5.
- 6.

5.2

1. 380V
- 2.
- 3.
- 4.
- 5.

5.3

- 1.

2.

380V

3.

4.

5.

6.

7.

5.4

1.

2.

3.

4.

3-6

5.

6.

7.

6

!%\$ fl

ł

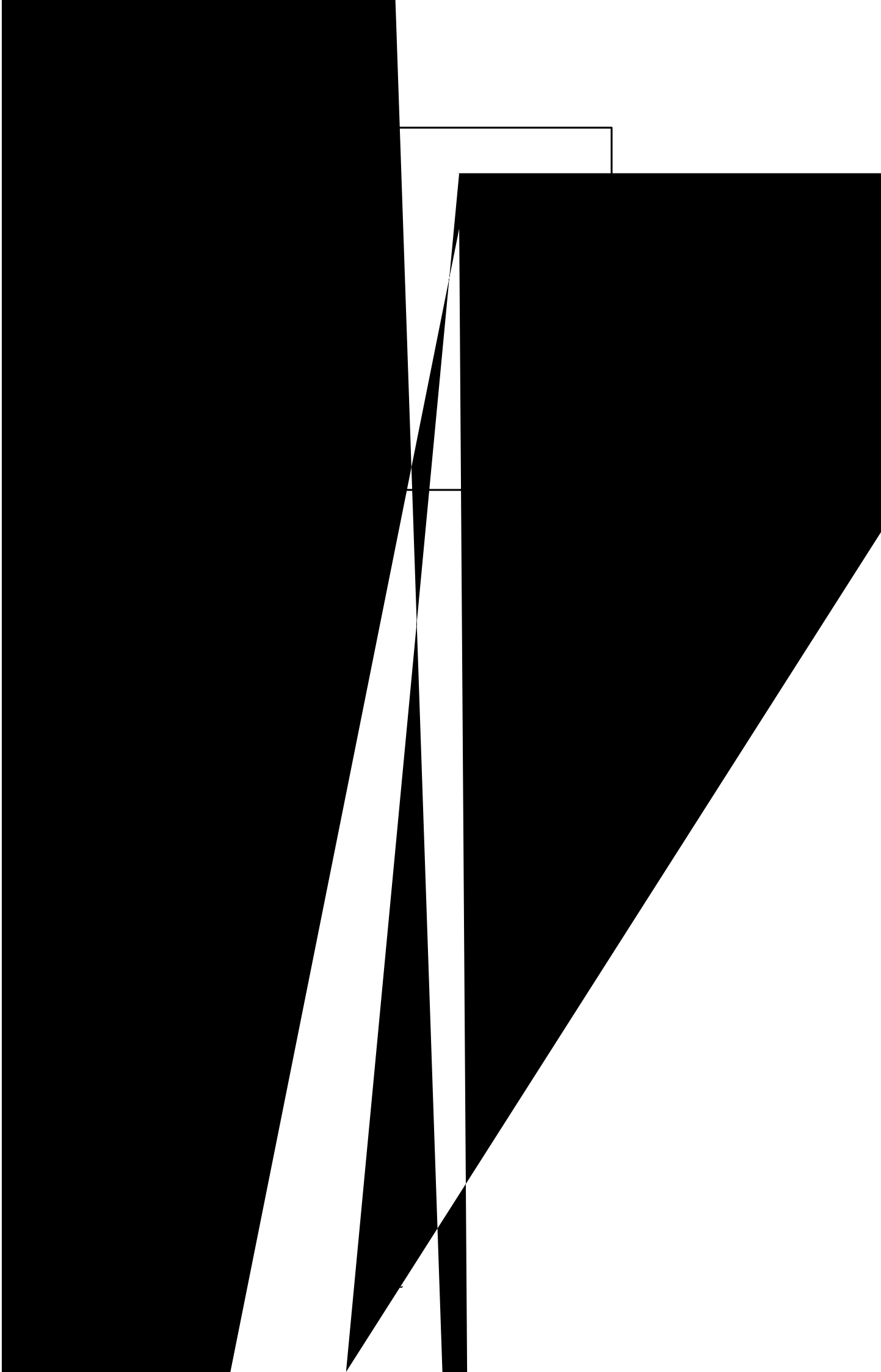
() fl

%\$

ł

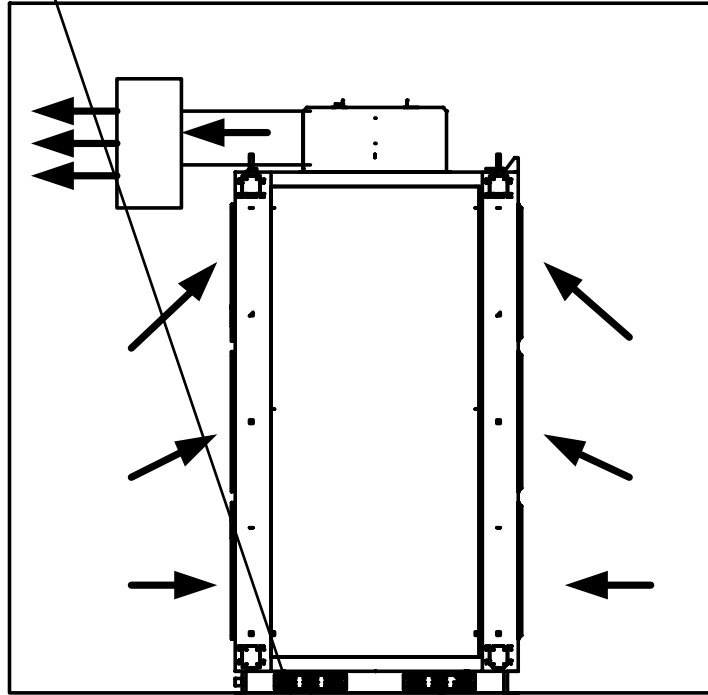
)?#\

6.1

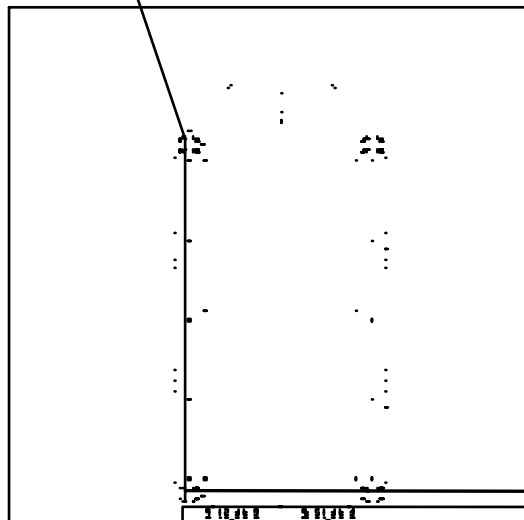


6.3

%



&



6.4

$$G1 = \frac{a^*}{5\%} + \frac{5\%}{5\%} \times J$$

G a*

5% ()\$ %

5&)*\$ %

J &a#g

7

N ! XGJ;

+! %

7-1 ZG-dSVG

1		1.IGBT 2. 3. 4. 5.	1. 2. 3. 4.
2		1. 2. 3. 4.	1. 2. 3. 4.
3		1. PT 2. 3. 4. 5. 6. 7.	1. SVG PT 2. 3. 4. 5. 6.
4		1. 2. 3. 4. 5.	1. 2. 3. 4. 5.
5	/	1. 2. 3. 4. 5.	1. 2. 3. 4.
6		1.PT	1.

		2. 3.	2.
7	1/2	1. 2. 3. 4.	1. 2. 3.
8		1. 2. 3. 4.	1. 2. 3.
9		1. 2. 3. 4.	1. 2. 3.
10		1. 2. 3.	1. 2.
11		1. 2.	1. 2.
12		1. 2. 3. 4.	1. 2. 3.
13		1. UPS 2. 3. 4.	1. UPS 2. 3. 4.
14			1. 2.
15		1. 2. 3. PT 4.	1. 2. 3. SVG PT 4.
16	/ /	1. 2. 3.	1. 2. 3.
17		1. 2. ± 15V 3. 4.	1. 2. ± 15V 3. 4.

+! &

+! & ZG-dSVG

%		
&		
'	#	#
(
)	#	#
*		
+	#	#

8

8.1

8.2

1

2

3

4

5

8.5